



# DALI IU

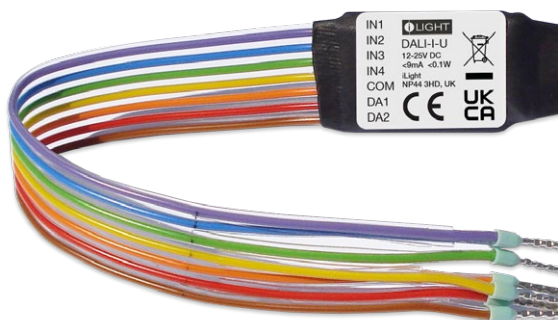
## DALI input unit with 4 user inputs

### Key Features

- Powered from DALI bus, compatible with standard DALI rating
- Up to four user inputs
- Ultra compact - Suitable for inclusion into most standard size back boxes
- DALI consumption < 9 mA
- CE & UKCA compliant to all relevant standards
- Designed and manufactured to ISO9001 standard.

### Cable colours

Purple:	Input 1
Blue:	Input 2
Green:	Input 3
Yellow:	Input 4
Orange:	COM
Red:	DALI bus
Brown:	DALI bus



### Overview

The DALI Input Unit is a fully DALI-compatible interface, designed to allow customer specified switches, sensors, time clocks or other on/off control devices to be incorporated into a standard DALI installation. The DALI Input Unit is a small, pre-wired, encapsulated PCB module and it is suitable for inclusion into all standard size back boxes together with a suitable mains rated switch.

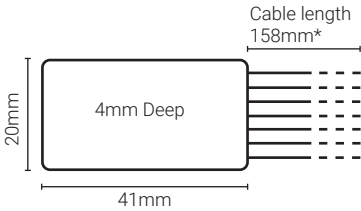
## Function

DALI Input Unit detects short-circuit connection between wires Input 1-4 and COM. Module is designed to be used with standard push buttons – short-circuit connection is the active state.

DALI Input Unit is a DALI powered device therefore external DALI power supply has to be connected on the DALI line.

Note: The push buttons used as input devices for DALI Input Unit must have mains rating (DALI bus provides basic insulation only).

## Dimensions

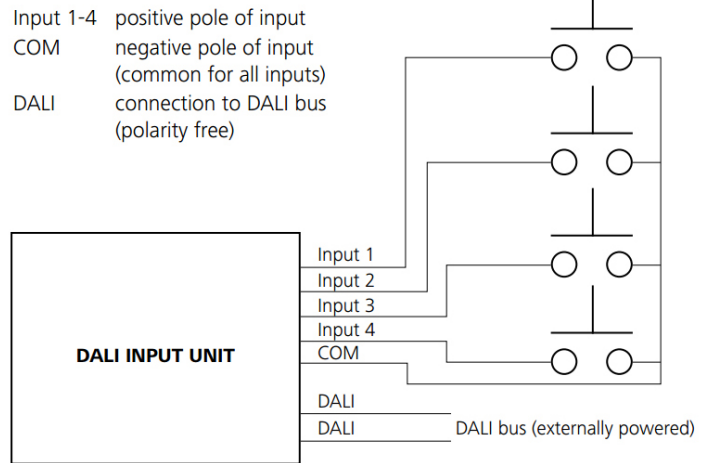


\*Do not extend cables

## Technical Information

Connections	
Mains cable:	Wires AWG 24 (0.5mm <sup>2</sup> )
DALI cable:	Wires AWG 24 (0.5mm <sup>2</sup> )
Power	
DALI voltage:	12-25VDC
DALI consumption:	<9mA
Control Inputs	
Voltage range:	Open 5VDC / closed max. 0.3VDC
Current range:	Max. 1mA
Mechanical data	
Housing:	Encapsulated PCB
Weight:	10g
Operating conditions	
Ambient temp. range:	0°C - +40°C
Relative humidity:	85% (non-condensing)
Storage temp. range:	-40°C - +70°C

## Wiring Diagram



## Contact Us

+44 (0)1923 495495

[enquiries@iLight.co.uk](mailto:enquiries@iLight.co.uk)

[www.iLight.co.uk](http://www.iLight.co.uk)

**iLight**  
A brand of Signify  
Usk House, Llantarnam Park  
Cwmbran, NP44 3HD, UK

Changes to the products, to the information contained in this document, and to prices are reserved; so are errors and omissions.

© 2022 Signify Holding  
All Rights Reserved

iLight is a registered trademark.  
All other trademarks are property of their respective owners.

DALI IU Rev5 1121



FM 727924